



Lithium-ion Battery

DATA SHEET

Battery Model: [LIR1632](#)

Prepared	Authorized	Approved
Zhe Hao, Wei	Feng , Li	Ji de, Wong

Manufacturer: EEMB Co., Ltd.

Website: <http://eemb.com>

This Specification describes the requirements of the lithium ion rechargeable battery supplied by EEMB Co., Ltd.

1.0 BASIC CHARACTERISTICS

1.1	Battery Type	LIR1632	
1.2	Nominal Voltage	3.6V	
1.3	Nominal Capacity	25±2mAh	
1.4	Maximum Capacity	27mAh	
1.5	Dimension (mm)	Diameter	16.0 _{-0.2}
		Height	3.2 _{+0.3}
1.6	Weight	1.7±0.3g	

2.0 Battery Characteristics

2.1 Testing Conditions

Temperature: 20±1°C

Relative Humidity: 75±5%RH

Atmosphere pressure: 1atm

2.2 Standard Charge/Discharge Characteristics

The test should be conducted under the condition below:

In a temperature of 20±5°C, CC charge 0.2CmA / voltage up to 4.20V; Then CV charge. Terminate charging when the charging current value is less than 0.05CmA. Rest for no more than 10 minutes, Discharge CC at 0.2CmA to 2.75V.

2.3 Fast Charge/Discharge Characteristics

Temperature 20±5°C, CC charge at 1CmA to 4.20V; turn to CV charge; Terminate charging when the charging current value is less than 0.05CmA, rest for no more than 10 minutes, then at 1CmA CC discharge to 2.75V.

2.4 Temperature Characteristics

Working temperature range: - 20°C—60°C

2.5 Storage temperature: 20°C±1

Note: Any representations in this brochure concerning performance, are for informational purposes only and are not construed as warranties either expressed or implied, of future performance.

<http://eemb.com> global@eemb.com

3.0 General Features

3.1 Long Cycle Life

Under normal usage, the cycle life of the battery can be ≥ 300 circles while with capacity $\geq 80\%$

3.2 High Power Density

High power density makes the battery light in weight and small in dimension. It can be used in small devices.

3.3 Safe and Reliable

No floating metal lithium assures a safer usage.

3.4 High working voltage

Working voltage is up to 3.6V, approx. 3 times of the voltage of NI-MH or NI-CD, which reduces the quantity of the battery needed in certain application.

3.5 No memory effect

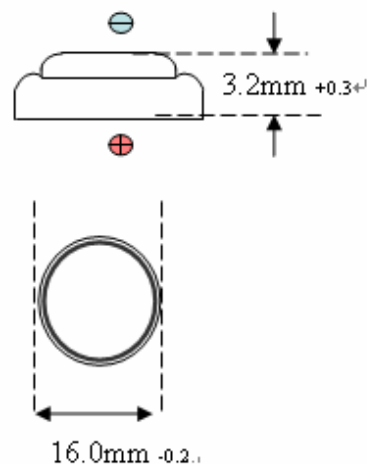
No memory effect assures a constant maximum application.

3.6 Low self-discharge rate: $\leq 5\%$ /month

3.7 Good Consistency

Good consistency is showed in battery capacity, internal resistance, discharge platform and capacity retention. A strict complete internal quality control is subject to the ISO9000 system in the company's production.

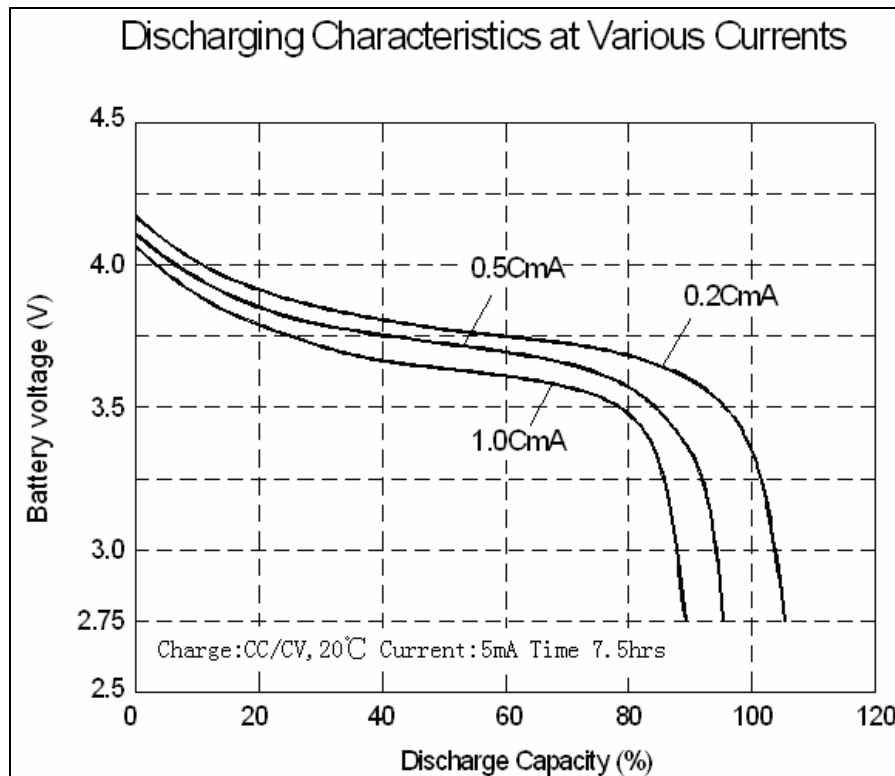
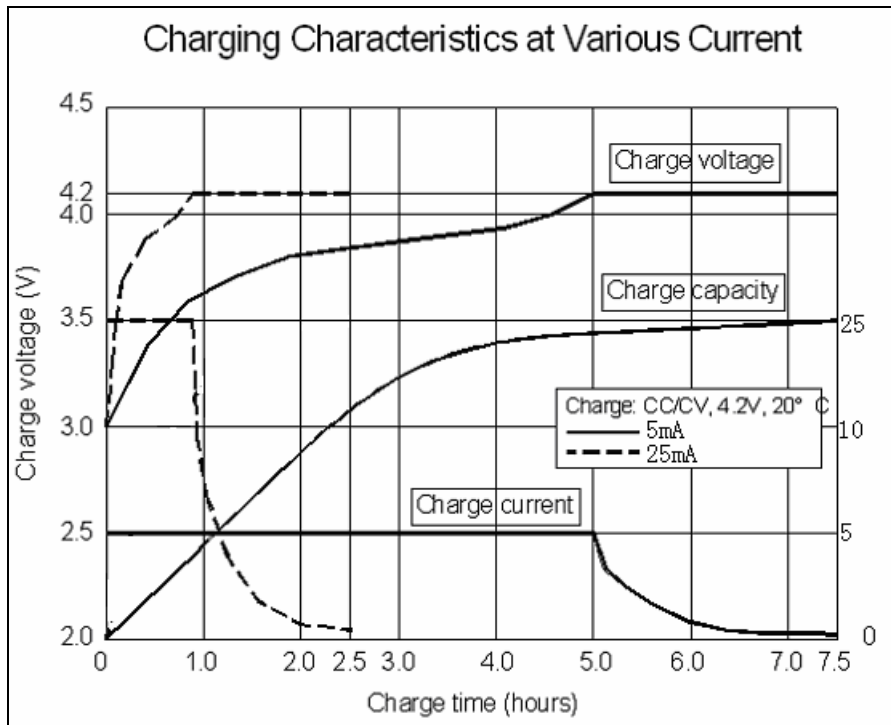
4.0 BATTERY DIMENSION



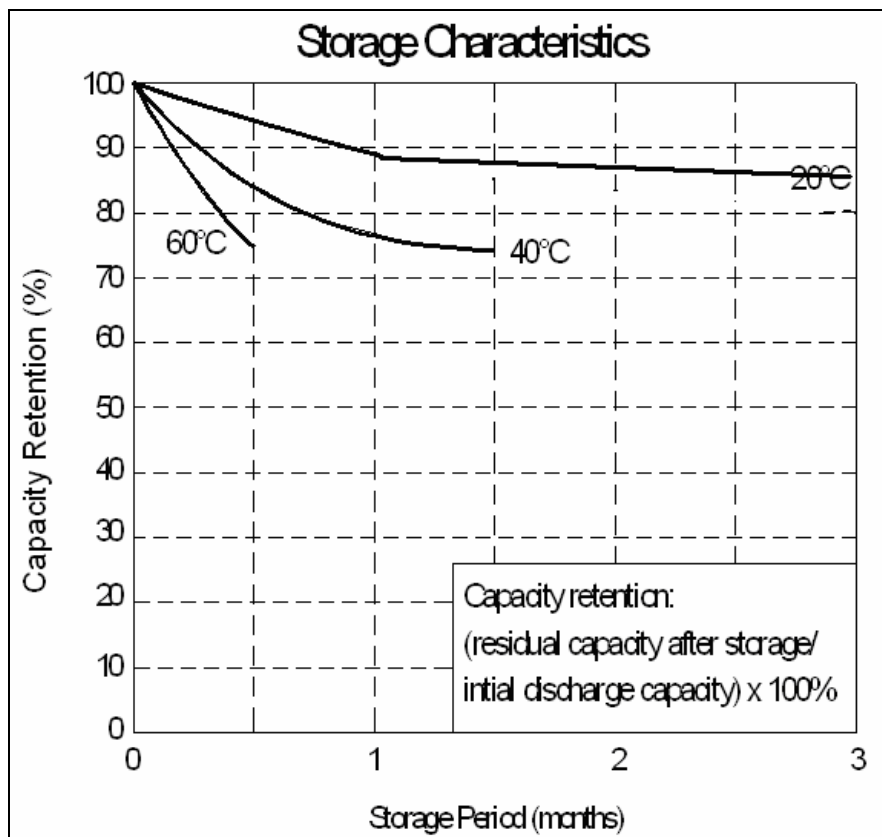
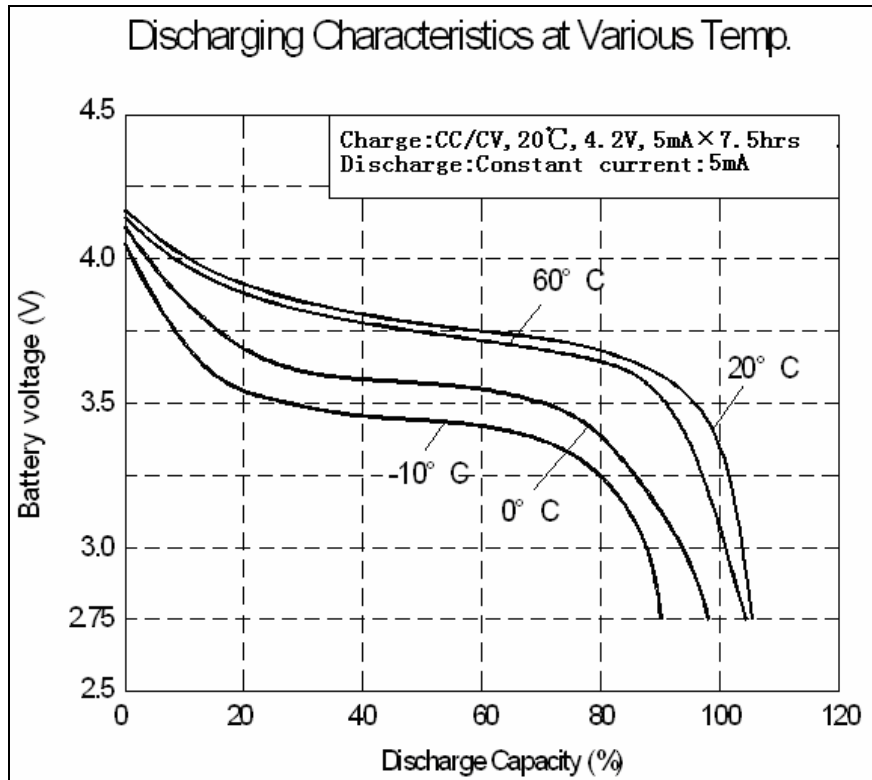
Note: Any representations in this brochure concerning performance, are for informational purposes only and are not construed as warranties either expressed or implied, of future performance.

<http://eemb.com> global@eemb.com

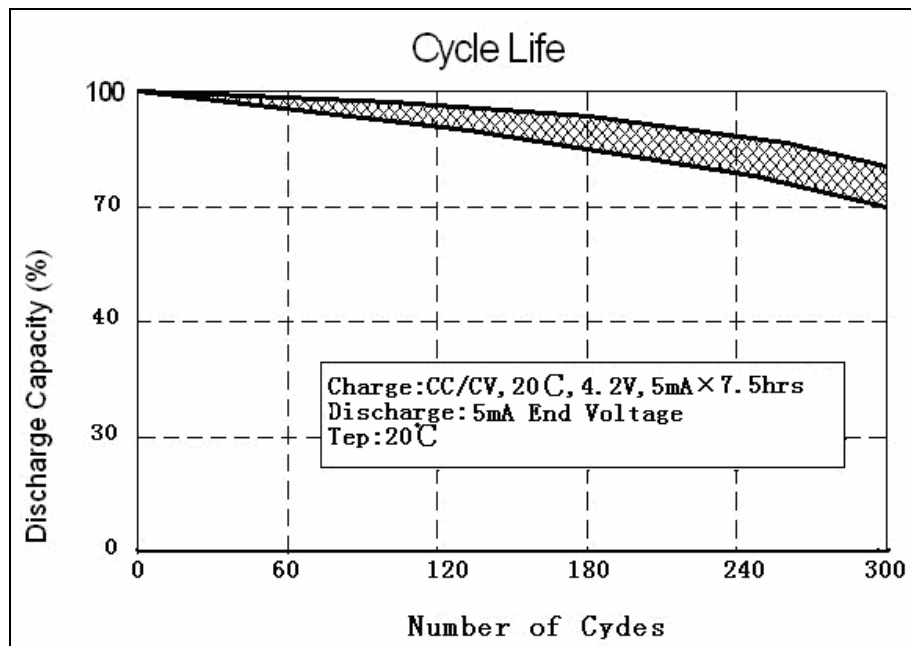
5.0 ELECTRONIC CHARACTERISTICS CURVE



Note: Any representations in this brochure concerning performance, are for informational purposes only and are not construed as warranties either expressed or implied, of future performance.
<http://eemb.com> global@eemb.com



Note: Any representations in this brochure concerning performance, are for informational purposes only and are not construed as warranties either expressed or implied, of future performance.



6.0 WARNINGS AND CAUTIONS IN HANDLING THE Lithium-ion BATTERY

To prevent a possibility of the battery from leaking, heating or explosion, please observe the following precautions:

WARNINGS!

- 1) Do not immerse the battery in water or seawater, and keep the battery in a cool dry surrounding if it stands by.
- 2) Do not use or leave the battery near a heat source as fire or heater
- 3) When recharging, use the battery charger specifically for that purpose
- 4) Do not reverse the position (+) and negative (-) terminals
- 5) Do not connect the battery to an electrical outlet
- 6) Do not discard the battery in fire or heat it
- 7) Do not short-circuit the battery by directly connecting the positive (+) and negative (-) terminal with metal objects such as wire.
- 8) Do not transport or store the battery together with metal objects such as necklaces, hairpins etc.
- 9) Do not strike or throw the battery
- 10) Do not directly solder the battery and pierce the battery with a nail or other sharp object.

CAUTIONS!

- 1) Do not use or leave the battery at very high temperature (for example, at strong direct sunlight or in a vehicle in extremely hot weather). Otherwise, it can overheat or fire or its performance will be

Note: Any representations in this brochure concerning performance, are for informational purposes only and are not construed as warranties either expressed or implied, of future performance.

degenerate and its service life will be decreased.

- 2) Do not use it in a location where static electricity is great, otherwise, the safety devices may be damaged, causing hidden trouble of safety.
- 3) If the battery leaks, and the electrolyte get into the eyes. Do not rub eyes, instead, rinse the eyes with clean running water, and immediately seek medical attention. Otherwise, it may injure eyes or cause a loss of sight.
- 4) If the battery gives off an odor, generates heat, becomes discolored or deformed, or in any way appear abnormal during use, recharging or storage, immediately remove it from the device or battery charger and stop using it.
- 5) In case the battery terminals are dirt, clean the terminals with a dry cloth before use. Otherwise power failure or charge failure may occur due to the poor connection with the instrument.
- 6) Be aware discarded batteries may cause fire, tape the battery terminals to insulate them.

! Special Notice

Keep the cell in **50% charged state** during long period storage. We recommend to charge the battery up to 50% of the total capacity every 3 months after receipt of the battery and maintain the voltage 3.6~4.0V. And store the battery in cool and dry place.

Note: Any representations in this brochure concerning performance, are for informational purposes only and are not construed as warranties either expressed or implied, of future performance.

<http://eemb.com> global@eemb.com